



GAMMA 242 SERIES

1-3/8" 6 Spline PTO Thru Shaft

Multiple Drive Options Available
600 RPM



- Anodized Aluminum Crankcase
- High Strength Aluminum Connecting Rods
- Solid Ceramic Plungers
- Stainless Steel Check Valves
- 2" Hose Barb Inlet.
- (4) 3/4" BSP-F Outlet
- 64 oz. Capacity Vented Oil Bath Crank Case
- Max Fluid Temp, 160°F

TS 1C
1-3/8" PTO x
35mm Keyed



TS 2C
1-3/8" PTO x
1-3/8" PTO



GAMMA 242 Series Plunger Pumps

GAMMA 242 Series industrial duty plunger pumps are rated at 63.4 GPM and pressures up to 870 PSI.

Pumps are available with a 1-3/8" male PTO through shaft with the option of a 2nd 1-3/8" male PTO shaft or a 35mm solid, keyed shaft.

Applications include fire fighting,, construction, de-icing and orchard spraying.

| | Model | Flow | | Pressure | | Plunger Dia. | Crankshaft | | Power | Seal Kit | Valve Kit | Wt. |
|---------|-----------------|------|-------|----------|-----|--------------|------------|------|-----------|----------|-----------|---------|
| | | GPM | l/min | PSI | bar | | Stroke | Code | | | | |
| 600 RPM | GAMMA 242 TS 1C | 63.4 | 240.0 | 870 | 60 | 50mm | 38.0mm | V | 36.9 EBHP | 6062.71 | 6062.70 | 115 lbs |
| | GAMMA 242 TS 2C | 63.4 | 240.0 | 870 | 60 | 50mm | 38.0mm | V | 36.9 EBHP | 6062.71 | 6062.70 | 115 lbs |



**World Leader in
Diaphragm and Plunger Pumps**

6180 140th Avenue NW
Ramsey, MN 55303

Ph: 651-785-0666
Fax: 800-732-2670

www.udorusa.com
sales@udorusa.com

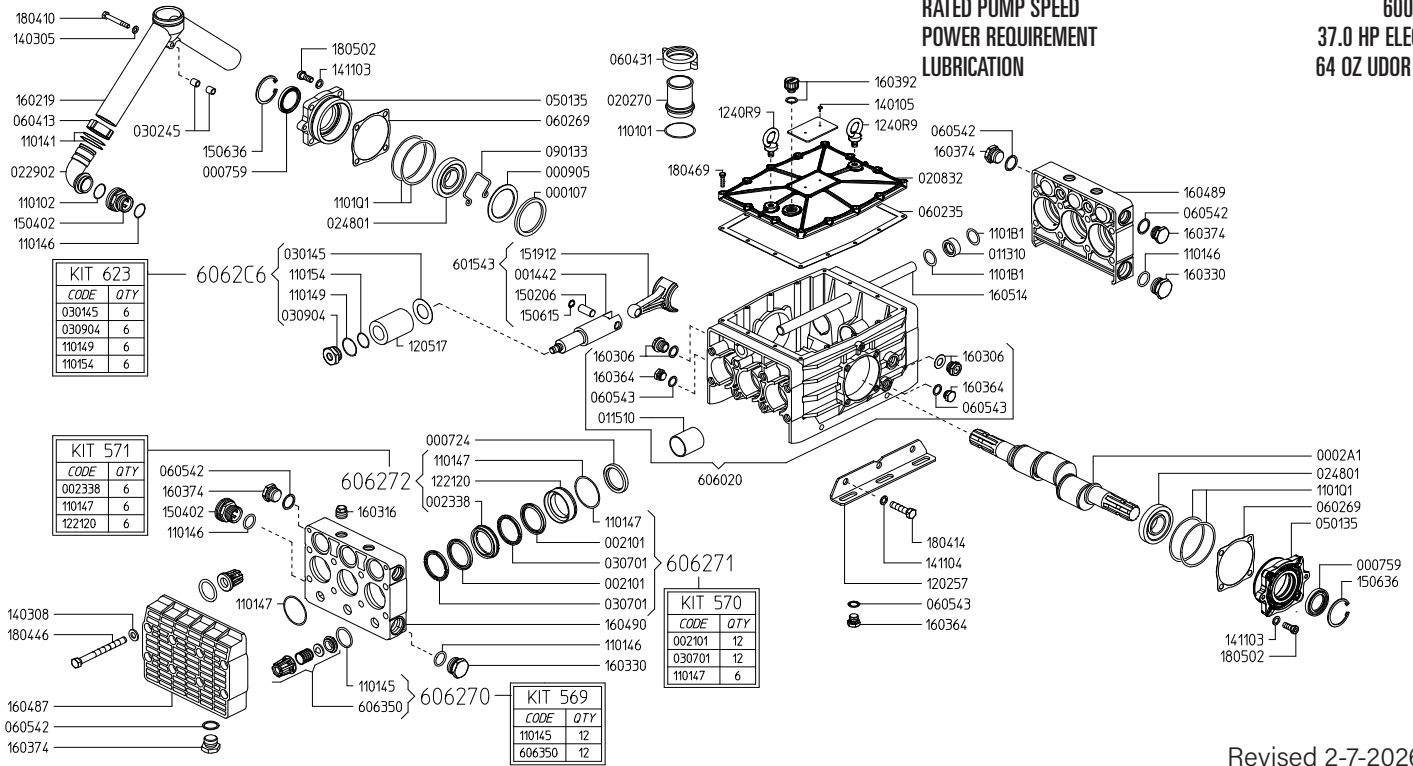


Scan this QR Code
for More Information

**G242TS
2026A**

MAX FLOW
MAX PRESSURE
RATED PUMP SPEED
POWER REQUIREMENT
LUBRICATION

63.4 GPM / 240.0 L/MIN
870 PSI / 60 BAR
600 RPM
37.0 HP ELECTRIC
64 OZ UDOR LUBE



Revised 2-7-2026

| Part # | Description | Qty | Part # | Description | Qty |
|---------|-----------------------------------|-----|---------|--|-----|
| 0001.07 | RETAINER RING | 6 | 1221.20 | PRESSURE RING D50 ^C | 6 |
| 0002.A1 | SHAFT TS2C | 1 | 1401.05 | RIVET UNI7346-3.5X8 | 2 |
| 0007.24 | OIL SEAL D40 | 6 | 1403.05 | WASHER D8.4 | 1 |
| 0007.59 | OIL SEAL D35 | 2 | 1403.08 | WASHER D13 | 16 |
| 0009.05 | RING | 6 | 1411.03 | SERRATED WASHER D10 | 8 |
| 0014.42 | PLUNGER GUIDE | 6 | 1411.04 | SERRATED WASHER D12 | 6 |
| 0021.01 | PISTON SEAL RING D50 ^B | 12 | 1502.06 | PIN D15X32.3 | 6 |
| 0023.38 | UPPER RING D50 ^C | 6 | 1504.02 | BRASS INLET CONNECTOR | 2 |
| 0113.10 | BALANCING TUBE BUSHING | 2 | 1506.15 | SNAP RING D15 | 6 |
| 0115.10 | BUSHING D40 | 6 | 1506.36 | SNAP RING D55 | 2 |
| 0202.70 | HOSE BARB D50 | 1 | 1519.12 | CONNECTING ROD | 6 |
| 0208.32 | UPPER COVER | 1 | 1602.19 | SUCTION MANIFOLD G2" | 1 |
| 0229.02 | BRASS ELBOW | 2 | 1603.06 | OIL PLUG G1/2 + GASKET | 2 |
| 0248.01 | ROLLER BEARING D35 | 2 | 1603.16 | PLUG G1/2 | 4 |
| 0301.45 | DISC ^D | 6 | 1603.30 | PLUG G1" | 2 |
| 0302.45 | SPACER | 2 | 1603.64 | PLUG G3/8 | 3 |
| 0307.01 | SPACER RING D50 ^B | 12 | 1603.74 | PLUG G3/4 | 9 |
| 0309.04 | NUT D50 ^D | 6 | 1603.92 | OIL PLUG G1/2 | 1 |
| 0501.35 | BEARING FLANGE | 2 | 1604.87 | FRONT HEAD | 2 |
| 0602.35 | UPPER COVER GASKET | 1 | 1604.89 | MIDDLE HEAD - LEFT | 1 |
| 0602.69 | FLANGE GASKET | 2 | 1604.90 | MIDDLE HEAD - RIGHT | 1 |
| 0604.13 | BRASS NUT M46X2 | 2 | 1605.14 | BALANCING TUBE | 1 |
| 0604.31 | BRASS NUT G2" | 1 | 1804.10 | HEX BOLT M8X60 | 1 |
| 0605.42 | GASKET D27 | 9 | 1804.14 | HEX BOLT M10X1.5X65 | 6 |
| 0605.43 | GASKET D17 | 3 | 1804.46 | HEX BOLT M12X130 | 16 |
| 0901.33 | SPRING CLIP | 1 | 1804.69 | HEX BOLT M6X25 | 12 |
| 1101.01 | O-RING - INLET BARB | 1 | 1805.02 | ALLEN BOLT M10X25 | 8 |
| 1101.02 | O-RING - INLET ELBOW | 2 | 6015.43 | COMPLETE ROD ASSEMBLY | 6 |
| 1101.41 | O-RING - SUCTION MANIFOLD | 4 | 6060.20 | CRANKCASE ASSEMBLY | 1 |
| 1101.45 | O-RING - VALVE ^A | 12 | 6063.50 | VALVE ASSEMBLY W/O O-RING ^A | 12 |
| 1101.46 | O-RING - INLET PLUG / INLET ELBOW | 6 | 6062.70 | IN/OUTLET VALVE KIT (KIT 569) | 1 |
| 1101.47 | O-RING - SPLIT MANIFOLD | 6 | 6062.71 | WATER SEAL KIT (KIT 570) | 1 |
| 1101.47 | O-RING - SEAL KIT ^{B,C} | 6 | 6062.72 | BRASS RING KIT (KIT 571) | 1 |
| 1101.49 | O-RING - PLUNGER NUT ^D | 6 | 6062.C6 | PLUNGER KIT (KIT 623) | 1 |
| 1101.54 | O-RING - PLUNGER ^D | 6 | | | |
| 1101.B1 | O-RING - BALANCING TUBE | 4 | | | |
| 1101.Q1 | O-RING - BEARING FLANGE | 4 | | | |
| 1202.57 | BASE PLATE | 2 | | | |
| 1205.17 | CERAMIC PLUNGER D50 | 6 | | | |

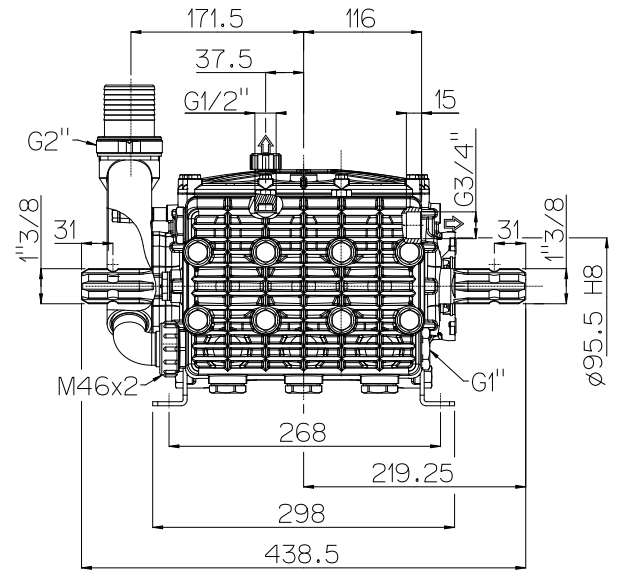
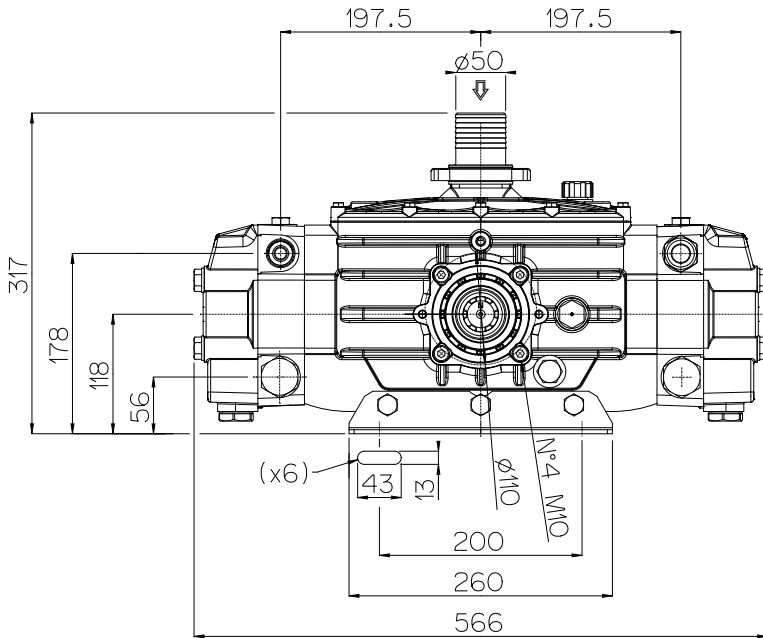
^A Parts in 6062.70 (Kit 569)
^B Parts in 6062.71 (Kit 570)
^C Parts in 6062.72 (Kit 571)
^D Parts in 6062.C6 (Kit 623)



GAMMA 162/202/242 DIMENSIONS

WEIGHT 115 LBS
 LUBRICATION 64 OZ UDOR LUBE
 SHAFT OPTIONS
 TS1C ... 1-3/8" 6-Spline Male PTO x 35mm Solid Keyed Thru-Shaft
 TS2C 1-3/8" 6-Spline Male PTO Thru-Shaft

*Dimensional Drawings are
 Shown in Millimeters.
 To Convert to Inches,
 Multiply Dimension x 0.03937*



TORQUE SPECS

| Ref. | Description | Ft./lb. | Nm | Loctite® |
|------|----------------------|---------|-----|----------|
| 1 | Head Bolts | 66 | 90 | - |
| 2 | Valve Caps | - | - | - |
| 3 | Inlet Cap | 133 | 180 | - |
| 4 | Outlet Cap | 103 | 140 | 243 |
| 5 | Bearing Flange Bolts | 37 | 50 | - |
| 6 | Rear Cover Bolts | 8 | 11 | - |
| 7 | Connecting Rod Bolts | - | - | - |
| 8 | Plunger Bolts | 48 | 65 | 243 |
| 9 | Valve Cover Bolts | - | - | - |
| 10 | Oil Drain Plug | 8 | 11 | - |

