

- Plated Brass Manifold and Valve Caps
- Heat Treated Crankshaft
- Stainless Steel Piston Guides and Check Valves
- NEW **ChemWall** Seals for Car Wash Applications
- Industrial Quality Tapered Roller Bearings
- Solid Ceramic Plungers
- 15.4 oz. Capacity Vented Oil Bath Crank Case
- 1/2" BSP-F Inlet. 3/8" BSP-F Outlet
- Max Fluid Temp, 170°F

Main **ChemWall** Seal Advantages:

- Special coated stainless steel shell.
- Rigid design resists collapsing due to chemical and high temperature exposure.
- Greater resistance to aggressive chemicals including wheel cleaner concentrates.
- Longer Seal Life - Up to 10x times that of standard seals, reducing maintenance and down time.

BCW Series 24mm Keyed Solid Shaft Plunger Pumps

BCW Series car wash plunger pumps include a range of models with flow rates from 2.9 to 5.5 GPM and pressures up to 2900 PSI. Pumps are available in 1000 and 1450 RPM configurations

These pumps are designed and engineered specifically to meet the demands of car wash applications. They feature plated brass manifolds and valve caps, and high-temperature **ChemWall** seals rated to 170° F.

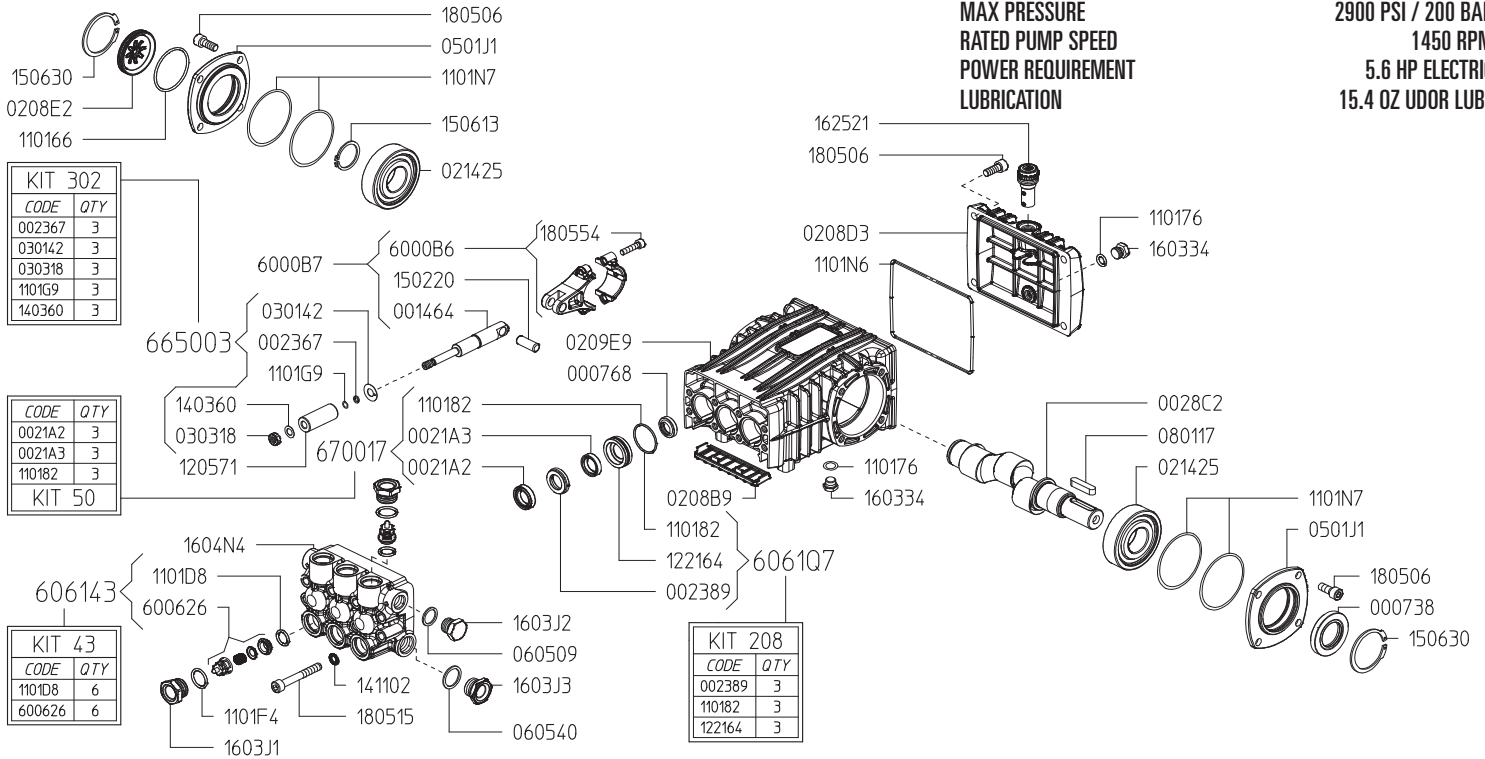
	Model	Flow		Pressure		Plunger Dia.	Crankshaft		Power	Seal Kit	Valve Kit	Wt.
		GPM	l/min	PSI	bar		Stroke	Code				
1000 RPM	BCWB 11/20 S	2.9	11.0	2900	200	18mm	11.5mm	R	5.6 EBHP	6061.Z3	6061.43	20 lbs
	BCWB 13/20 S	3.4	13.0	2900	200	18mm	14.5mm	I	6.7 EBHP	6061.Z3	6061.43	20 lbs
	BCWB 15/20 S	4.0	15.0	2900	200	18mm	18.0mm	9	7.7 EBHP	6061.Z3	6061.43	20 lbs
1450 RPM	BCWC 11/20 S	2.9	11.0	2900	200	18mm	10.5mm	O	5.6 EBHP	6061.Z3	6061.43	20 lbs
	BCWC 13/20 S	3.4	13.0	2900	200	18mm	11.5mm	R	6.7 EBHP	6061.Z3	6061.43	20 lbs
	BCWC 15/20 S	4.0	15.0	2900	200	18mm	14.5mm	I	7.7 EBHP	6061.Z3	6061.43	20 lbs
	BCWC 18/20 S	4.9	18.5	2900	200	18mm	18.0mm	9	9.5 EBHP	6061.Z3	6061.43	20 lbs
	BCWC 21/20 S	5.5	21.0	2900	200	18mm	19.0mm	Y	10.8 EBHP	6061.Z3	6061.43	20 lbs
Rail Kit	8702.10	Standard 7/8" Rail Kit for B Series Solid Shaft Pumps										

NOTE: All pump models available with left-hand drive option. Add 'L' to model number when ordering (ex. BCWC 21/20 SL)



MAX FLOW
MAX PRESSURE
RATED PUMP SPEED
POWER REQUIREMENT
LUBRICATION

2.9 GPM / 11.0 L/MIN
2900 PSI / 200 BAR
1450 RPM
5.6 HP ELECTRIC
15.4 OZ UDOR LUBE



Revised 12-16-2025

Part #	Description	Qty	Part #	Description	Qty
0007.38	OIL SEAL D30	1	1221.64	PRESSURE RING D18 "B/BK" ^D	3
0007.68	OIL SEAL D15	3	1403.60	WASHER D8 ^C	3
0014.64	PLUNGER GUIDE "B/BK"	3	1411.01	SERATED WASHER D6	6
0021.A2	WATER SEAL HP D18 ^B	3	1411.02	SERATED WASHER D8	8
0021.A3	WATER SEAL LP D18 ^B	3	1502.20	PIN D10X27	3
0023.67	RING D5.2X8X1.3 ^C	3	1506.09	SNAP RING D52	2
0023.89	UPPER RING D18 "B/BK" ^D	3	1506.13	SNAP RING D30	1
0028.C2	MALE SHAFT "B/BK" D24	1	1603.34	PLUG G1/4	2
0208.B8	OIL SIGHT GLASS	1	1603.J1	VALVE PLUG D15/18/20	6
0208.B9	COVER "B/BK"	1	1603.J2	PLUG G3/8	1
0208.D3	BACK COVER "B/BK"	1	1603.J3	PLUG G1/2	1
0209.E9	CRANKCASE "BCW"	1	1604.N4	HEAD "BCW"	1
0214.25	BEARING D30	2	1625.21	OIL PLUG G3/8	1
0301.42	SLINGER RING ^C	3	1805.06	ALLEN BOLT M8X20	12
0303.18	NUT M8XH5 ^C	3	1805.15	ALLEN BOLT M8X60	8
0501.J1	BEARING FLANGE "BCW"	2	1805.19	ALLEN BOLT M6X25	6
0605.09	GASKET D17X23X1.5	1	6000.B6	CONNECTING ROD "B/BK"	3
0605.40	GASKET D21.5X27X1.5	1	6000.B7	COMPLETE CONNECTING ROD ASS'Y "B/BK"	3
0801.17	KEY A8X7X35	1	6006.26	VALVE ASSEMBLY WITHOUT O-RING ^A	6
1101.66	O-RING - OIL SIGHT GLASS	1	6017.N5	COMPLETE MANIFOLD ASSEMBLY	1
1101.76	O-RING - PLUG	2	6061.43	KIT 43 - VALVE KIT	1
1101.82	O-RING - PRESSURE RING ^{B D}	3	6061.Q7	KIT 208 - BRASS RING KIT D18 "B/BK"	1
1101.D8	O-RING - VALVE ^A	6	6650.03	KIT 302 - PLUNGER KIT D15/18 "B/BK"	1
1101.F4	O-RING - VALVE PLUG	6	6700.17	KIT 50 - WATER SEAL KIT	1
1101.G9	O-RING - PLUNGER ROD ^C	3			
1101.N6	O-RING - BACK COVER	1			
1101.N7	O-RING - BEARING FLANGE	4			
1205.71	CERAMIC PLUNGER D18 "B/BK"	3			

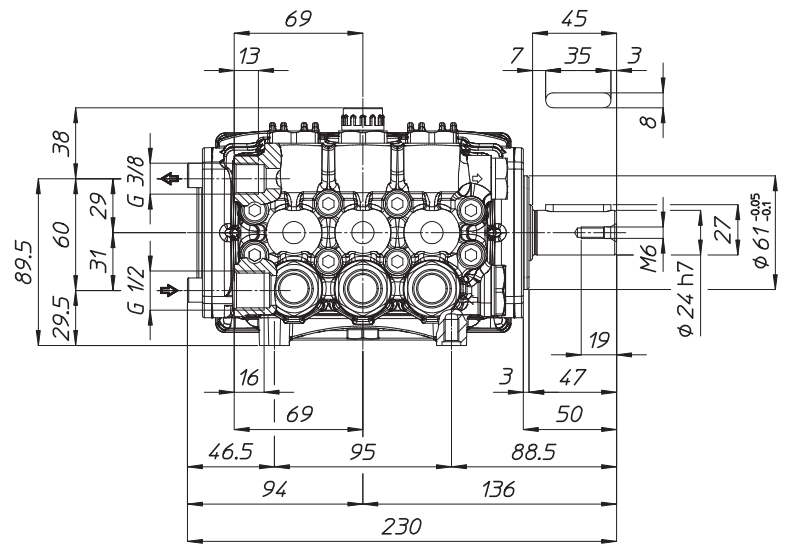
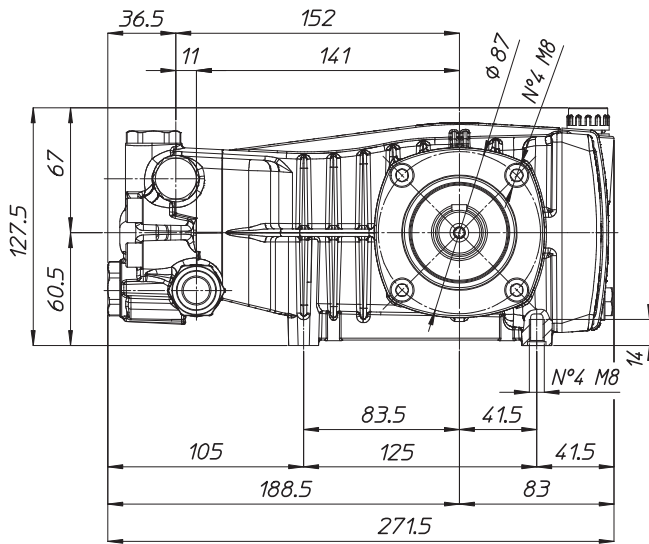
^A Parts in 6061.43 (Kit 43).
^B Parts in 6700.17 (Kit 50).
^C Parts in 6650.03 (Kit 302).
^D Parts in 6061.Q7 (Kit 208).

WEIGHT
LUBRICATION

20 LBS
15.4 OZ UDOR LUBE

*Dimensional Drawings are
Shown in Millimeters.
To Convert to Inches,
Multiply Dimension x 0.03937*

B SERIES PUMPS - 24MM SOLID SHAFT



TORQUE SPECS

Ref.	Description	Ft./lb.	Nm	Loctite®
1	Head Bolts	19	25	-
2	Valve Caps	75	100	243
3	Inlet Cap	75	100	243
4	Outlet Cap	60	80	243
5	Bearing Flange Bolts	19	25	-
6	Rear Cover Bolts	19	25	-
7	Connecting Rod Bolts	9	11	243
8	Plunger Bolts	11	15	270
9	Valve Cover Bolts	-	-	-
10	Oil Drain Plug	19	25	-

