

## 4-Cylinder, High-Pressure Diaphragm Pumps



DELTA 170 4-cylinder, high pressure diaphragm pumps are internally manifolded with anodized aluminum construction and anodized aluminum and stainless steel liquid handling parts. Includes mounting rails and 6005.05 control unit with pressure gauge.

DELTA 170 pumps are excellent choices for various horticultural, agricultural, lawn care, nursery, pest control and turf spraying applications. They are also effectively used for aircraft de-icing, hydrostatic testing and cleaning applications.

| Model             | GPM  | l/min | PSI | bar | RPM | Drive Configuration                                   | Weight  |
|-------------------|------|-------|-----|-----|-----|---|---------|
| DELTA 170 TS2C    | 47.3 | 179.5 | 725 | 49  | 550 | 1-3/8" 6-Spline Male PTO Thru-Shaft                   | 110 LBS |
| DELTA 170 TSMFVA  | 47.3 | 179.5 | 725 | 49  | 550 | 1-3/8" 6-Spline PTO x Universal VA Drive Face         | 110 LBS |
| DELTA 170 GR1-1/8 | 47.3 | 179.5 | 725 | 49  | 550 | Gear Reduction for 1-1/8" Shaft Gas Engines, 24-31 HP | 130 LBS |
| DELTA 170 GR ASSY | 47.3 | 179.5 | 725 | 49  | 550 | Pump, Gear Reduction, 31 HP Gas Engine, Base          | 320 LBS |

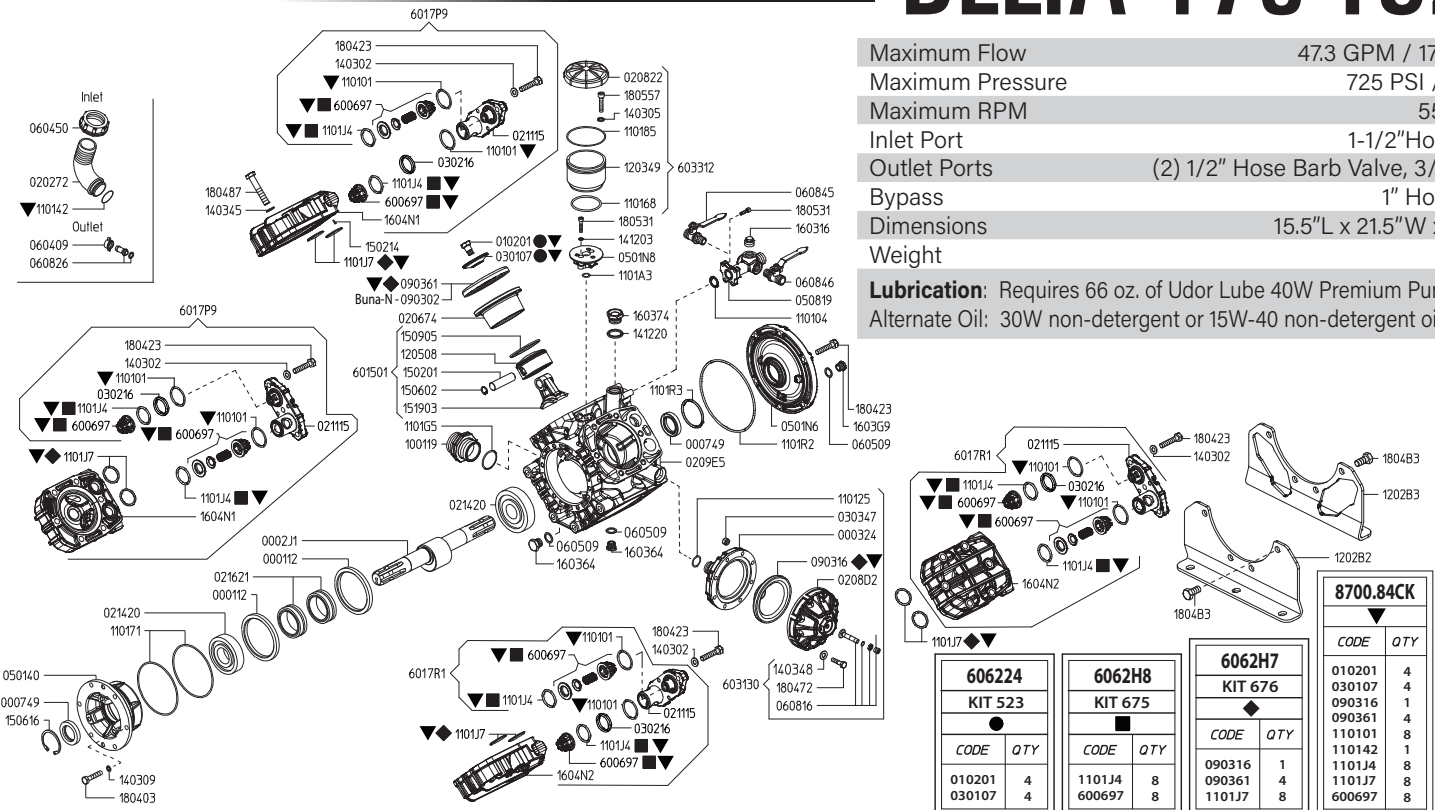
| Specifications         | DELTA 170                | Description                 | Part #    |
|------------------------|--------------------------|-----------------------------|-----------|
| Inlet Port             | 1-1/2" Hose Barb         | Diaphragm Kit (GREENTECH)   | 6062.H7   |
| Outlet Ports           | (2) 1/2" Hose Barb       | Diaphragm Bolt / Washer Kit | 606224    |
| Bypass                 | 1" Hose Barb             | Valve Kit                   | 6062.H8   |
| Piston Diameter        | 75mm                     | Complete Repair Kit         | 8700.84CK |
| Crankshaft Stroke/Code | 19.0mm / U               |                             |           |
| Dimensions             | 15.5"L x 21.5"W x 16.5"H |                             |           |

**Lubrication:** Requires 66 oz. of Udor Lube 40W Premium Pump Oil.  
Alternate Oil: 30W non-detergent or 15W-40 non-detergent oil.



|                  |                                    |
|------------------|------------------------------------|
| Maximum Flow     | 47.3 GPM / 179.2 lpm               |
| Maximum Pressure | 725 PSI / 50 bar                   |
| Maximum RPM      | 550 RPM                            |
| Inlet Port       | 1-1/2" Hose Barb                   |
| Outlet Ports     | (2) 1/2" Hose Barb Valve, 3/4" MPT |
| Bypass           | 1" Hose Barb                       |
| Dimensions       | 15.5"L x 21.5"W x 16.5"H           |
| Weight           | 110 lbs                            |

**Lubrication:** Requires 66 oz. of Udor Lube 40W Premium Pump Oil.  
Alternate Oil: 30W non-detergent or 15W-40 non-detergent oil.

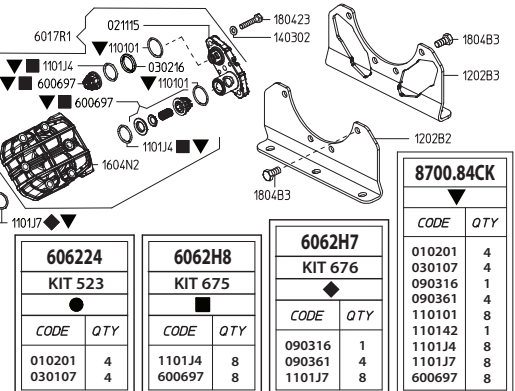


Revised 3-3-2025

| Part #  | Description                         | Qty |
|---------|-------------------------------------|-----|
| 0001.12 | RETAINER RING "DELTA 140/170"       | 2   |
| 0002.J1 | SHAFT "DELTA 140/170" TS 2C         | 1   |
| 0003.24 | PRESSURE ACCUMULATOR                | 1   |
| 0007.49 | OIL SEAL D35                        | 2   |
| 0102.01 | DIAPHRAGM BOLT ●▼                   | 4   |
| 0202.72 | HOSE BARB D40                       | 1   |
| 0206.74 | SLEEVE "DELTA 140/170"              | 4   |
| 0208.22 | OIL RESERVOIR COVER                 | 1   |
| 0208.D2 | ACCUMULATOR COVER                   | 1   |
| 0209.E5 | PUMP BODY "DELTA 170"               | 1   |
| 0211.15 | COVER "DELTA 140/170"               | 4   |
| 0214.20 | BALL BEARING D35                    | 2   |
| 0216.21 | ROLLER BEARING D35                  | 2   |
| 0301.07 | DIAPHRAGM DISC ●▼                   | 4   |
| 0302.16 | SPACER                              | 4   |
| 0303.47 | HEX NUT M8X8                        | 8   |
| 0501.40 | FLANGE - TS 2C                      | 1   |
| 0501.N6 | CRANKCASE FLANGE "DELTA 140/170"    | 1   |
| 0501.N8 | FLANGE - OIL BOWL                   | 1   |
| 0508.19 | BALL VALVE FLANGE "DELTA 140/170"   | 1   |
| 0604.09 | BRASS NUT G1/2                      | 1   |
| 0604.50 | BARB NUT G1-1/2"                    | 1   |
| 0605.09 | GASKET D17                          | 3   |
| 0608.16 | AIR VALVE ASSEMBLY                  | 1   |
| 0608.26 | HOSE BARB D13+GASKET                | 1   |
| 0608.45 | BALL VALVE RIGHT                    | 1   |
| 0608.46 | BALL VALVE LEFT                     | 1   |
| 0903.02 | PISTON DIAPHRAGM 116MM BUNA-N       | 4   |
| 0903.16 | ACCUMULATOR DIAPHRAGM ◆▼            | 1   |
| 0903.61 | PISTON DIAPHRAGM 116MM GREENTECH ◆▼ | 4   |
| 1001.19 | INLET NIPPLE                        | 1   |
| 1101.01 | O-RING - VALVE COVER ▼              | 8   |
| 1101.04 | O-RING - BALL VALVE FLANGE          | 1   |
| 1101.25 | O-RING - ACUMULATOR                 | 1   |
| 1101.42 | O-RING - INLET HOSE BARB ▼          | 1   |
| 1101.68 | O-RING - OIL RESERVOIR              | 1   |
| 1101.71 | O-RING - CRANKCASE FLANGE           | 2   |
| 1101.85 | O-RING - OIL RESERVOIR              | 1   |
| 1101.A3 | O-RING - OIL RESERVOIR              | 1   |
| 1101.G5 | O-RING - INLET NIPPLE               | 1   |
| 1101.J4 | O-RING - VALVE ■▼                   | 8   |
| 1101.J7 | O-RING - HEAD, VITON ◆▼             | 8   |
| 1101.R2 | O-RING - CRANKCASE FLANGE           | 1   |
| 1101.R3 | O-RING - CRANKCASE FLANGE           | 1   |

| Part #    | Description                           | Qty |
|-----------|---------------------------------------|-----|
| 1202.B2   | BASE PLATE "DELTA 170"                | 1   |
| 1202.B3   | BASE PLATE "DELTA 170"                | 1   |
| 1203.49   | OIL RESERVOIR                         | 1   |
| 1205.08   | ALUMINIUM PISTON D75                  | 4   |
| 1403.02   | WASHER M10                            | 8   |
| 1403.05   | WASHER M8                             | 3   |
| 1403.09   | WASHER M10                            | 6   |
| 1403.45   | WASHER M13                            | 24  |
| 1403.48   | WASHER M8                             | 8   |
| 1412.03   | WASHER                                | 2   |
| 1412.20   | WASHER                                | 1   |
| 1502.01   | PIN D18X64                            | 4   |
| 1502.14   | PIN                                   | 4   |
| 1506.02   | SNAP RING D18                         | 4   |
| 1506.16   | SNAP RING D55                         | 1   |
| 1509.05   | PISTON RING D75                       | 4   |
| 1519.03   | CONNECTING ROD                        | 4   |
| 1603.16   | PLUG G1/2                             | 1   |
| 1603.64   | OIL PLUG                              | 2   |
| 1603.74   | PLUG                                  | 1   |
| 1603.G9   | PLUG                                  | 1   |
| 1604.N1   | RIGHT HEAD "DELTA 140/170"            | 2   |
| 1604.N2   | LEFT HEAD "DELTA 140/170"             | 2   |
| 1804.03   | HEX BOLT M10X30                       | 6   |
| 1804.23   | HEX BOLT M10X40                       | 14  |
| 1804.72   | HEX BOLT M8X50                        | 8   |
| 1804.87   | HEX BOLT                              | 24  |
| 1804.B3   | HEX BOLT                              | 8   |
| 1805.31   | ALLEN BOLT M6X30 UNI5931 DACROMET     | 6   |
| 1805.57   | ALLEN BOLT                            | 3   |
| 6006.97   | VALVE ASSEMBLY W/O O-RING ■▼          | 8   |
| 6015.01   | ROD ASSEMBLY D75                      | 4   |
| 6017.P9   | HEAD ASSEMBLY - RIGHT                 | 2   |
| 6017.R1   | HEAD ASSEMBLY - LEFT                  | 2   |
| 6031.30   | PRESSURE ACCUMULATOR ASSEMBLY         | 1   |
| 6033.12   | OIL RESERVIOR ASSEMBLY                | 1   |
| 6062.24   | DIAPHRAGM BOLT / WASHER KIT (KIT 523) | 1   |
| 6062.H7   | DIAPHRAGM KIT - GREENTECH (KIT 676)   | 1   |
| 6062.H8   | IN/OUT VALVE KIT (KIT 675)            | 1   |
| 8700.84CK | COMPLETE REPAIR KIT                   | 1   |

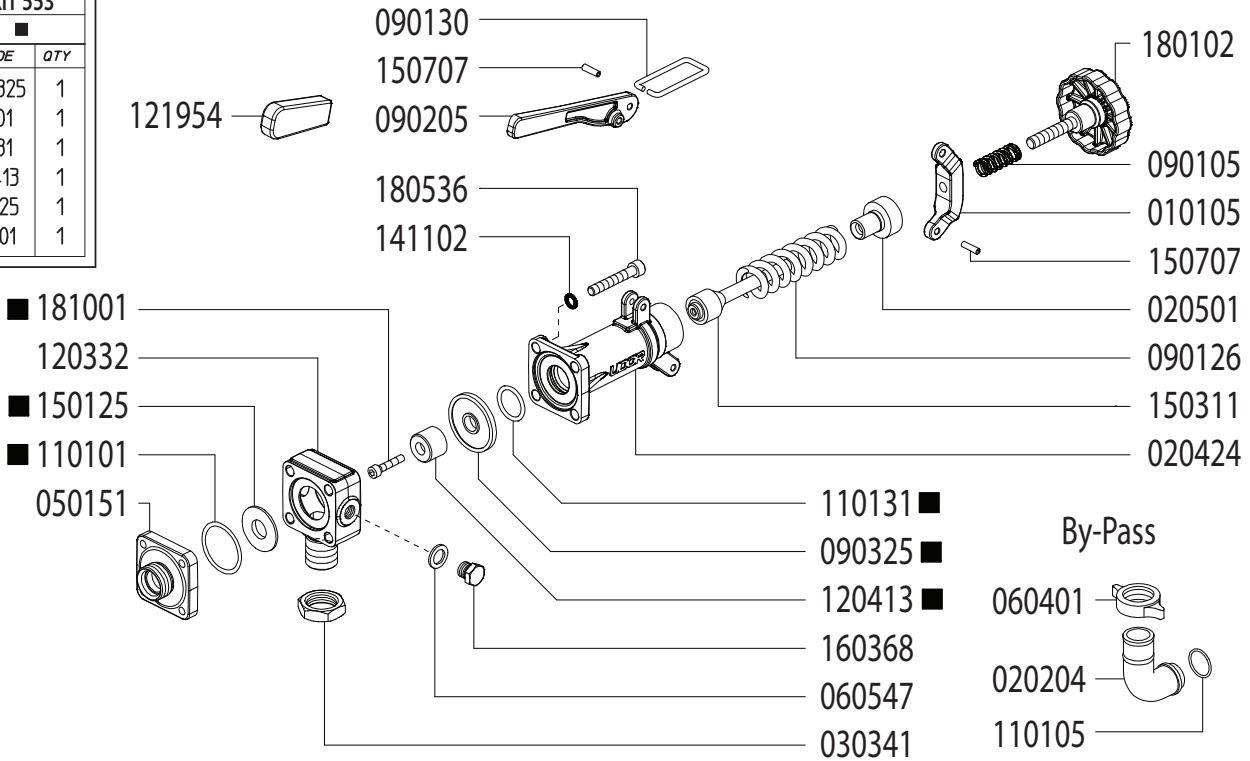
- Parts in 6062.24 (Kit 523)
- ◆ Parts in 6062.H7 (Kit 676)
- Parts in 6062.H8 (Kit 675)
- ▼ Parts in 8700.84CK (Complete Repair Kit)



## Adjustable Pressure Regulator

|                    |                      |
|--------------------|----------------------|
| Maximum Flow       | 47.3 GPM / 179.2 lpm |
| Maximum Pressure   | 1200 PSI / 81 bar    |
| Inlet Port         | 3/4" Male BSP        |
| Outlet Ports       | -                    |
| Bypass - Hose Barb | 1" HB                |

|                |     |
|----------------|-----|
| <b>606254</b>  |     |
| <b>KIT 553</b> |     |
| CODE           | QTY |
| 090325         | 1   |
| 110101         | 1   |
| 110131         | 1   |
| 120413         | 1   |
| 150125         | 1   |
| 181001         | 1   |



Revised 3-3-2025

| Part #  | Description               | Qty |
|---------|---------------------------|-----|
| 0101.05 | LEVER GUIDE               | 1   |
| 0202.04 | 1" BRASS ELBOW HOSE BARB  | 1   |
| 0204.24 | VALVE BODY                | 1   |
| 0205.01 | VALVE CYLINDER            | 1   |
| 0303.41 | NUT                       | 1   |
| 0501.51 | FLANGE                    | 1   |
| 0604.01 | BARB NUT                  | 1   |
| 0605.47 | GASKET D8                 | 1   |
| 0901.05 | SPRING                    | 1   |
| 0901.30 | PRESSURE BAIL             | 1   |
| 0901.26 | SPRING                    | 1   |
| 0902.05 | HANDLE                    | 1   |
| 0903.25 | DIAPHRAGM                 | 1   |
| 1101.01 | O-RING - BYPASS FLANGE    | 1   |
| 1101.05 | O-RING - BYPASS HOSE BARB | 1   |

| Part #  | Description                    | Qty |
|---------|--------------------------------|-----|
| 1101.31 | O-RING - VALVE BODY            | 1   |
| 1203.32 | INLET ELBOW - 3/4" MALE BSP    | 1   |
| 1204.13 | POPPET                         | 1   |
| 1219.54 | HANDLE COVER - RUBBER          | 1   |
| 1501.25 | SEAT                           | 1   |
| 1503.11 | REGULATOR STEM                 | 1   |
| 1507.07 | PIN                            | 2   |
| 1603.68 | PLUG - 1/4" BRASS              | 1   |
| 1801.02 | ADJUSTMENT KNOB                | 1   |
| 1805.36 | BOLT                           | 4   |
| 1810.01 | BOLT - STAINLESS STEEL         | 1   |
| GG1500  | HIGH PRESSURE GAUGE (OPTIONAL) | 1   |
| 6062.54 | REPAIR KIT (KIT 553)           |     |

■ Parts Included in Repair Kit #6062.54 (KIT 553)

### OPERATING INSTRUCTIONS

1. Before operating or re-operating pump, lift R.V. Handle (0902.05) so pump will start at zero pressure.  
**FAILURE TO DO SO WILL VOID PUMP WARRANTY.**
2. Turn Pressure Adjustment Knob (1801.02) counter-clockwise to relieve spring tension. (Step 2 is only necessary on initial start-up and is not necessary for daily operation.)
3. Start unit and let run until air is evacuated from system, when only liquid is expelled from the bypass line.
4. Return R.V. Handle (0902.05) to down position. Open spray gun or spray boom and turn adjustment knob (1801.02) clockwise until desired operating pressure is achieved.

All Dimensions are WITHOUT Control Unit or Regulator

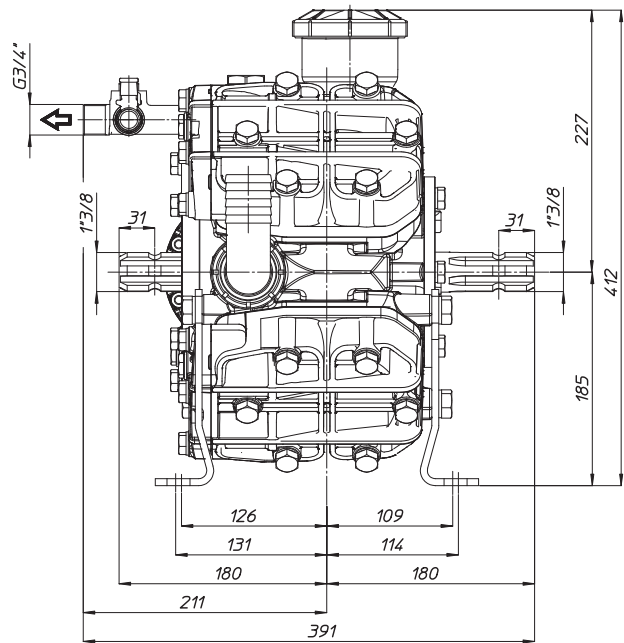
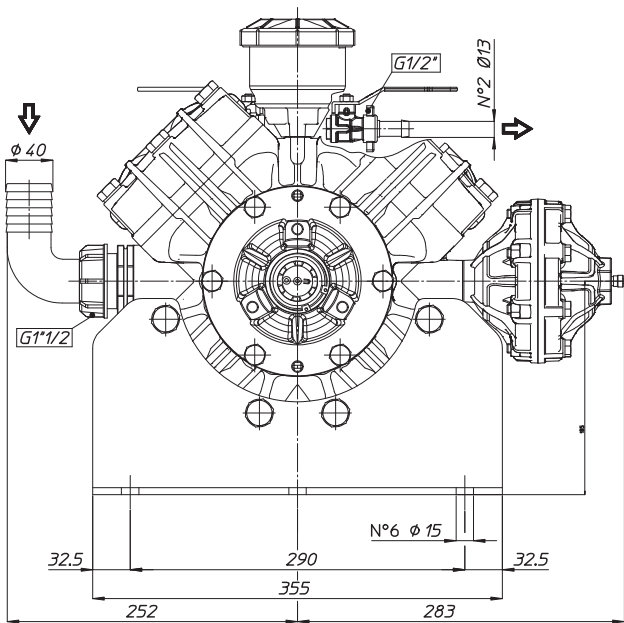
Dimensional Drawings are Shown in Millimeters. To Convert to Inches, Multiply Dimension x 0.03937

### Specifications

### DELTA 170

|                          |                              |
|--------------------------|------------------------------|
| Inlet Port - Hose Barb   | 1-1/4" HB                    |
| Outlet Ports - Hose Barb | (2) 1/2" HB                  |
| Bypass - Hose Barb       | 3/4" HB                      |
| Dimensions               | 15.5" L x 21.5" W x 16.5" H  |
| Diaphragm Material       | GREENTECH (Std) Buna-N (Opt) |

**Lubrication:** Requires 67 oz. of Udor Lube 40W Premium Pump Oil.  
Alternate Oil: 30W non-detergent or 15W-40 non-detergent oil.



## TORQUE SPECS

| Ref. | Description                       | Ft./lb. | Nm |
|------|-----------------------------------|---------|----|
| 1    | Diaphragm Bolts (Use Loctite 243) | 23      | 30 |
| 2    | Head Bolts                        | 37      | 50 |
| 3    | Pulsation Dampener Bolts          | 18      | 25 |
| 4    | Inlet Flange Bolts                | 7       | 10 |
| 5    | Bearing Flange Bolts              | 25      | 34 |
| 6    | Oil Cup Bolts                     | 7       | 10 |
| 7    | Valve Cover Bolts                 | 18      | 25 |

