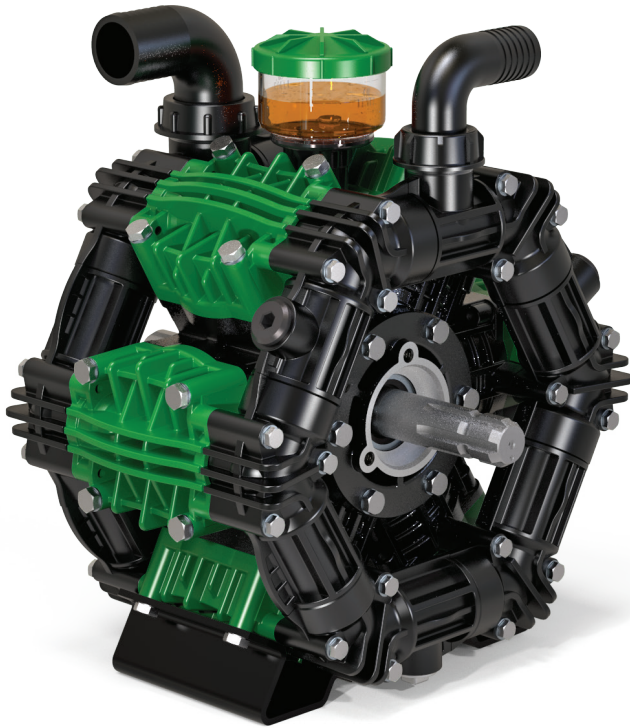


## 6-Cylinder, Low-Pressure Diaphragm Pumps



ZETA 300 low pressure 6-cylinder diaphragm pumps have anodized aluminum bodies with plasticized aluminum heads, stainless steel valves and glass-filled nylon manifolds.

ZETA 300 pumps are excellent for various horticultural and agricultural spraying applications.

Pumps are available with a 1-3/8" Male PTO thru-shaft or 2-bolt A-flange hydraulic motor mount with 1" hollow shaft.

Model	GPM	l/min	PSI	bar	RPM	Drive Configuration	Weight
ZETA 300 TS2C	78.0	295.0	300	20	550	1-3/8" 6-Spline Male PTO Thru-Shaft	80 LBS
ZETA 300 MI1	78.0	295.0	300	20	550	2-Bolt, A-Flange, 1" Hollow Shaft for Hydraulic Motor	80 LBS

Specifications	ZETA 300	Description	Part #
Inlet Port	2" Hose Barb	Diaphragm Kit (GREENTECH)	6062.H4
Outlet Port	1-1/2" Hose Barb	Diaphragm Bolt & Washer Kit	6062.D4
Piston Diameter	80.0mm	Valve Kit	6062.D3
Crankshaft Stroke/Code	19.0mm / U	Complete Repair Kit	8700.42CK
Dimensions	14.5"L x 15.5"W x 18.5"H		

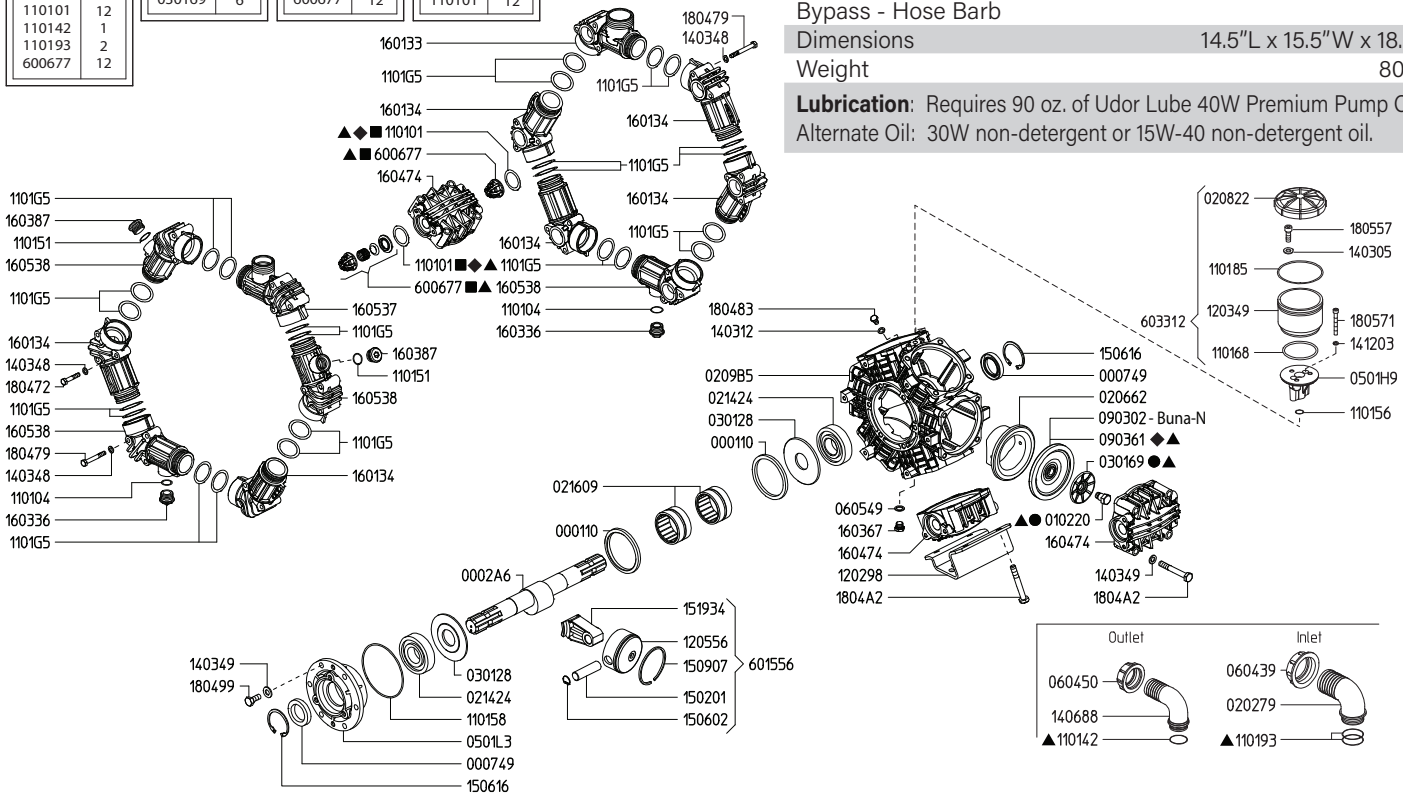
**Lubrication:** Requires 90 oz. of Udor Lube 40W Premium Pump Oil.  
Alternate Oil: 30W non-detergent or 15W-40 non-detergent oil.



8700.42CK		6062D4 KIT 637		6062D3 KIT 636		6062H4 KIT 672	
CODE	QTY	CODE	QTY	CODE	QTY	CODE	QTY
010220	6	010220	6	110101	12	090361	6
030169	6	030169	6	600677	12	110101	12
090361	6						
110101	12						
110142	1						
110193	2						
600677	12						

Maximum Flow	78.0 GPM / 295 lpm
Maximum Pressure	300 PSI / 20 bar
Maximum RPM	550 RPM
Inlet Port - Hose Barb	2" HB
Outlet Port - Hose Barb	1-1/2" HB
Bypass - Hose Barb	-
Dimensions	14.5"L x 15.5"W x 18.5"H
Weight	80 lbs

**Lubrication:** Requires 90 oz. of Udor Lube 40W Premium Pump Oil.  
Alternate Oil: 30W non-detergent or 15W-40 non-detergent oil.



Revised 2-6-2025

Part #	Description	Qty	Part #	Description	Qty
0001.08	RETAINER RING	1	1403.49	WASHER M10	26
0002.A6	CRANKSHAFT TS 2C	1	1406.88	OUTLET HOSE BARB D38	1
0007.49	OIL SEAL D35	2	1412.03	BONDED WASHER M6	2
0102.20	DIAPHRAGM BOLT ●▲	6	1502.01	PIN D18X64	6
0202.79	INLET HOSE BARB D50	1	1506.02	SNAP RING D18	6
0206.62	SLEEVE D80	6	1506.16	SNAP RING D55	2
0208.22	OIL RESERVOIR CAP	1	1509.07	PISTON RING D80	6
0209.B5	CRANKCASE	1	1519.33	CONNECTING ROD	6
0214.04	BALL BEARING D35	2	1601.33	SUCTION MANIFOLD G2" M	1
0216.09	ROLLER BEARING D55	2	1601.34	INLET-OUTLET MANIFOLD	6
0301.28	ROD DISC	2	1603.36	PLUG G3/4	2
0301.69	DIAPHRAGM WASHER●▲	6	1603.67	PLUG G1/4	1
0501.H9	OIL CUP SUPPORT FLANGE	1	1603.87	PLUG G3/4	2
0501.L3	BEARING FLANGE	1	1604.74	HEAD	6
0604.39	BARB NUT G2"	1	1605.37	OUTLET MANIFOLD G1"1/2 M	1
0604.50	BARB NUT G1-1/2"	1	1605.38	INLET-OUTLET MANIFOLD G3/4 F	4
0605.49	GASKET D13	1	1804.72	HEX BOLT M8X50	12
0903.02	PISTON DIAPHRAGM - BUNA-N 116MM	6	1804.79	HEX BOLT M8X70	24
0903.61	PISTON DIAPHRAGM - GREENTECH 116MM ◆▲	6	1804.83	HEX BOLT M8X12	1
1101.01	O-RING - VALVE ◆◆▲	12	1804.99	HEX BOLT M10X25	6
1101.04	O-RING - DRAIN PLUG	2	1804.A2	HEX BOLT M10X75	24
1101.42	O-RING - DISCHARGE BARB▲	1	1805.57	ALLEN BOLT M8X22	3
1101.51	O-RING - PLUG	2	1805.71	ALLEN BOLT M6X50	2
1101.56	O-RING - OIL RESERVIOR	1	6006.77	VALVE ASSEMBLY W/O O-RING ■▲	12
1101.58	O-RING - BEARING FLANGE	1	6015.56	ROD ASSEMBLY - D80 PISTON	6
1101.68	O-RING - OIL RESERVIOR	1	6033.12	OIL RESERVOIR ASSEMBLY	1
1101.85	O-RING - OIL RESERVIOR	1	6062.D3	IN/OUTLET VALVE KIT (KIT 636)	1
1101.93	O-RING - INLET BARB▲	2	6062.D4	DIAPH BOLT & WASHER (KIT 637)	1
1101.G5	O-RING - MANIFOLD TUBE	24	6062.H4	DIAPHTAGM KIT - GREENTECH (KIT 672)	1
1202.98	BASE PLATE	2	8700.42CK	COMPLETE REPAIR KIT	1
1203.49	OIL RESERVOIR	1			
1205.56	ALUMINIUM PISTON D80	6			
1403.05	WASHER M8	3			
1403.12	GASKET D8.5	1			
1403.48	WASHER M8	36			

- Parts in 6062.D3 (Kit 636)
- Parts in 6062.D4 (Kit 637)
- ◆ Parts in 6062.H4 (Kit 672)
- ▲ Parts in 8700.42CK Repair Kit

# ZETA 300 DIMENSIONS

All Dimensions are WITHOUT Control Unit or Regulator

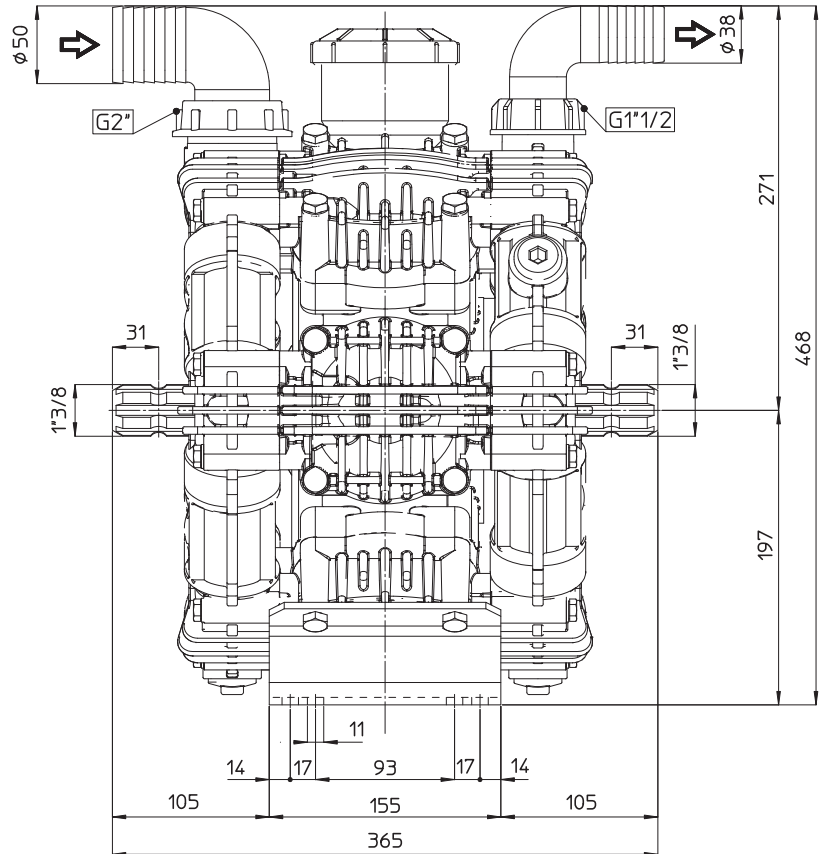
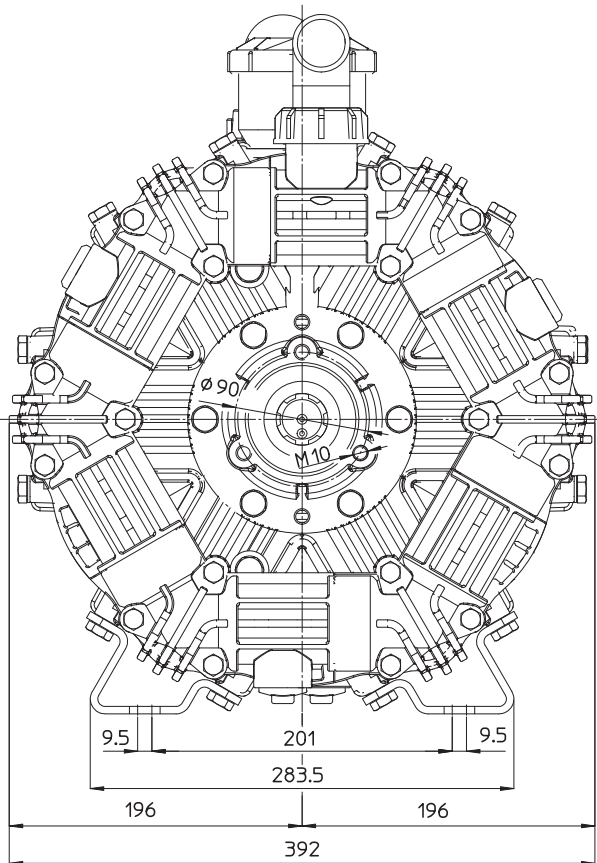
Dimensional Drawings are Shown in Millimeters. To Convert to Inches, Multiply Dimension x 0.03937

## Specifications

## ZETA 300

Inlet Port - Hose Barb	2" HB
Outlet Ports - Hose Barb	1-1/2" HB
Dimensions - Pump Only	14.5"L x 15.5"W x 18.5"H
Diaphragm Material	GREENTECH (Std) Buna-N (Opt)

**Lubrication:** Requires 39 oz. of Udor Lube 40W Premium Pump Oil. Alternate Oil: 30W non-detergent or 15W-40 non-detergent oil.



## TORQUE SPECS

Ref.	Description	Ft./lb.	Nm
1	Diaphragm Bolts (Use Loctite 243)	22	30
2	Head Bolts	30	40
3	Pulsation Dampener Bolts	-	-
4	Oil Cup Bolts	6	8
5	Manifold Bolts (Plastic)	14	20
NS	Bearing Flange Bolts (not shown)	25	34

