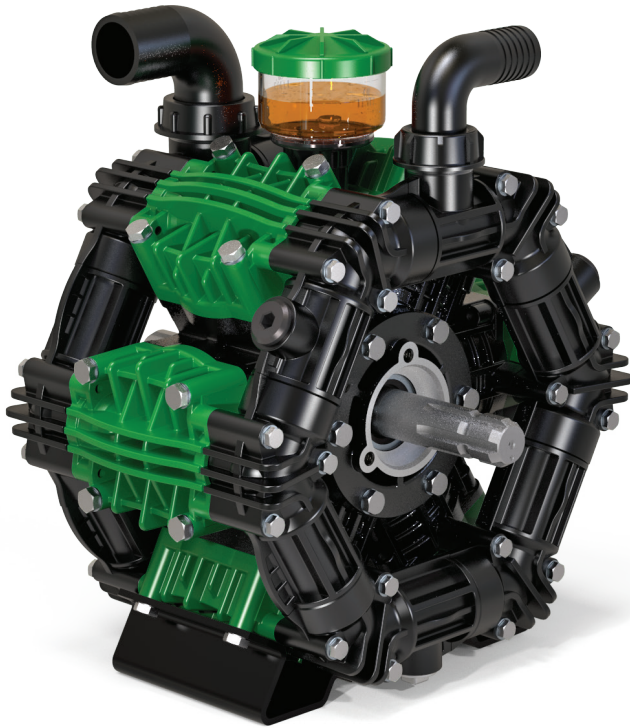


6-Cylinder, Low-Pressure Diaphragm Pumps



ZETA 300 low pressure 6-cylinder diaphragm pumps have anodized aluminum bodies with plasticized aluminum heads, stainless steel valves and glass-filled nylon manifolds.

ZETA 300 pumps are excellent for various horticultural and agricultural spraying applications.

Pumps are available with a 1-3/8" Male PTO thru-shaft or 2-bolt A-flange hydraulic motor mount with 1" or 25mm hollow shafts.

Model	GPM	l/min	PSI	bar	RPM	Drive Configuration	Weight
ZETA 300 TS2C	78.0	295.0	300	20	550	1-3/8" 6-Spline Male PTO Thru-Shaft	80 LBS
ZETA 300 MI1	78.0	295.0	300	20	550	2-Bolt, A-Flange, 1" Hollow Shaft for Hydraulic Motor	80 LBS
ZETA 300 MI25	78.0	295.0	300	20	550	2-Bolt, A-Flange, 25mm Hollow Shaft for Hydraulic Motor	80 LBS

Specifications	ZETA 300	Description	Part #
Inlet Port	2" Hose Barb	Diaphragm Kit (GREENTECH)	6062.H4
Outlet Port	1-1/2" Hose Barb	Diaphragm Bolt & Washer Kit	6062.D4
Piston Diameter	80.0mm	Valve Kit	6062.D3
Crankshaft Stroke/Code	19.0mm / U	Complete Repair Kit	8700.42CK
Dimensions	14.5"L x 15.5"W x 18.5"H		

Lubrication: Requires 90 oz. of Udor Lube 40W Premium Pump Oil.
Alternate Oil: 30W non-detergent or 15W-40 non-detergent oil.



ZETA 300 DIMENSIONS

All Dimensions are WITHOUT Control Unit or Regulator

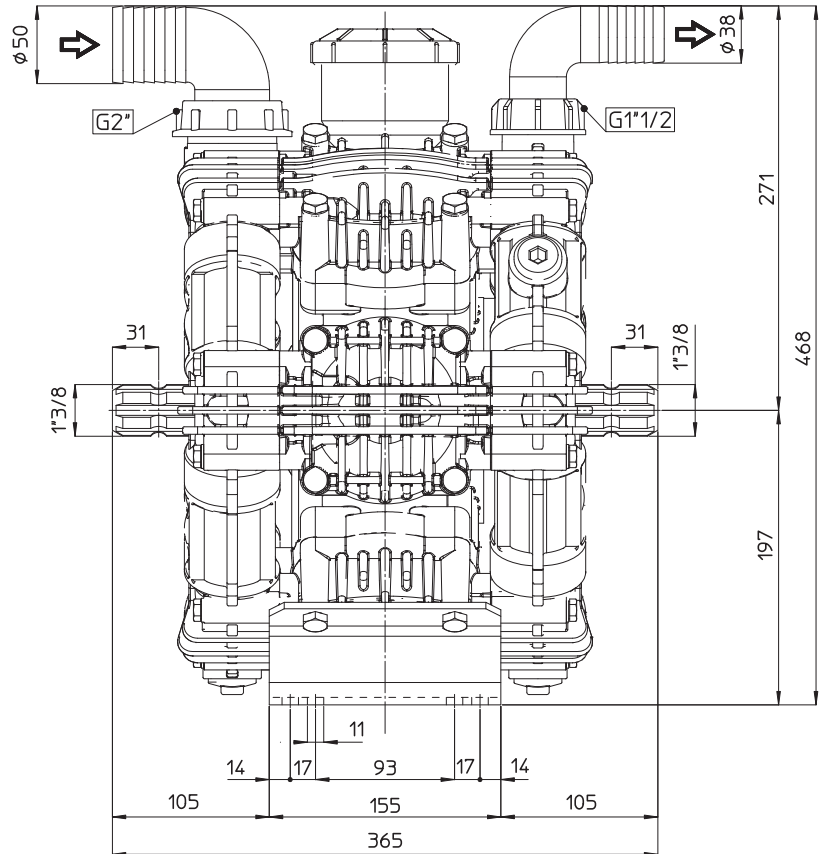
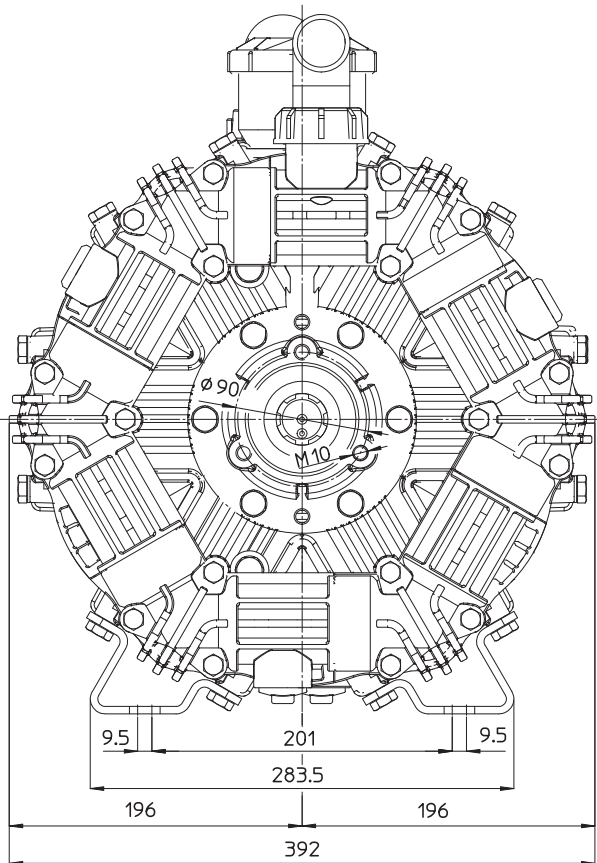
Dimensional Drawings are Shown in Millimeters. To Convert to Inches, Multiply Dimension x 0.03937

Specifications

ZETA 300

Inlet Port - Hose Barb	2" HB
Outlet Ports - Hose Barb	1-1/2" HB
Dimensions - Pump Only	14.5"L x 15.5"W x 18.5"H
Diaphragm Material	GREENTECH (Std) Buna-N (Opt)

Lubrication: Requires 39 oz. of Udor Lube 40W Premium Pump Oil. Alternate Oil: 30W non-detergent or 15W-40 non-detergent oil.



TORQUE SPECS

Ref.	Description	Ft./lb.	Nm
1	Diaphragm Bolts (Use Loctite 243)	22	30
2	Head Bolts	30	40
3	Pulsation Dampener Bolts	-	-
4	Oil Cup Bolts	6	8
5	Manifold Bolts (Plastic)	14	20
NS	Bearing Flange Bolts (not shown)	25	34

