

6-Cylinder, Low-Pressure Diaphragm Pumps



ZETA 260 low pressure 6-cylinder diaphragm pumps have anodized aluminum bodies with plasticized aluminum heads, stainless steel valves and glass-filled nylon manifolds.

ZETA 260 pumps are excellent for various horticultural and agricultural spraying applications.

Pumps are available with a 1-3/8" Male PTO thru-shaft or 2-bolt A-flange hydraulic motor mount with 1" hollow shaft.

| Model | GPM | l/min | PSI | bar | RPM | Drive Configuration | Weight |
|---------------|------|-------|-----|-----|-----|---|--------|
| ZETA 260 TS2C | 68.0 | 256.0 | 300 | 20 | 550 | 1-3/8" 6-Spline Male PTO Thru-Shaft | 80 LBS |
| ZETA 260 MI1 | 68.0 | 256.0 | 300 | 20 | 550 | 2-Bolt, A-Flange, 1" Hollow Shaft for Hydraulic Motor | 80 LBS |

| Specifications | ZETA 260 | Description | Part # |
|------------------------|--------------------------|-----------------------------|-----------|
| Inlet Port | 2" Hose Barb | Diaphragm Kit (GREENTECH) | 6062.H4 |
| Outlet Port | 1-1/2" Hose Barb | Diaphragm Bolt & Washer Kit | 6062.28 |
| Piston Diameter | 75.0mm | Valve Kit | 6062.D3 |
| Crankshaft Stroke/Code | 18.0mm / E | Complete Repair Kit | 8700.44CK |
| Dimensions | 14.5"L x 15.5"W x 18.5"H | | |

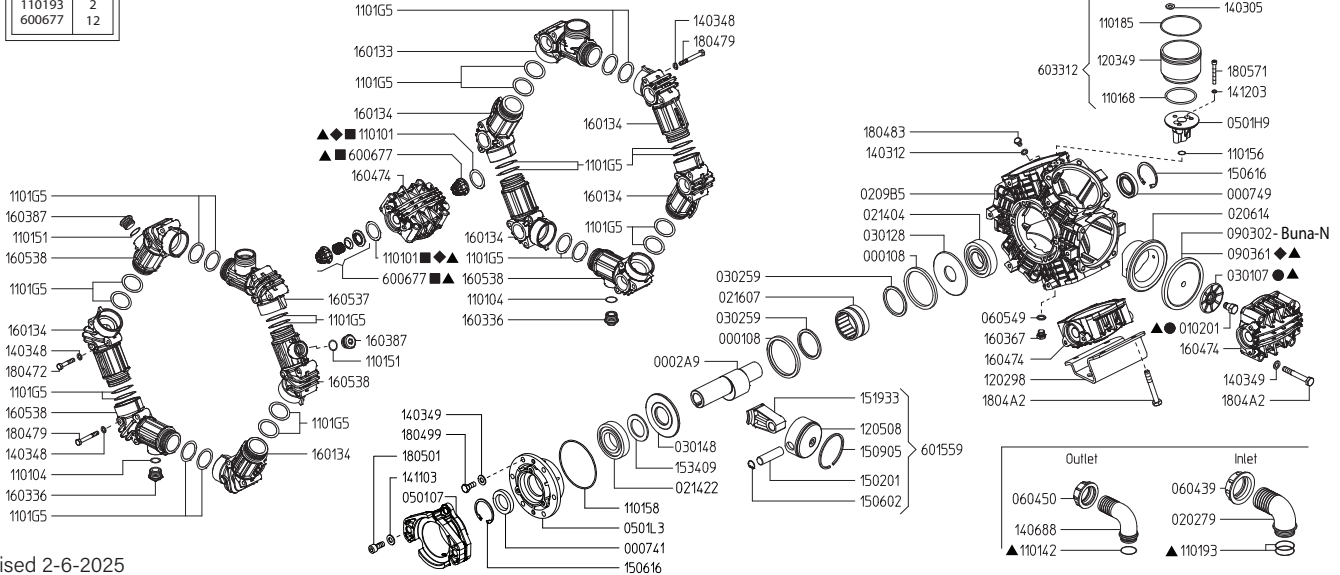
Lubrication: Requires 90 oz. of Udor Lube 40W Premium Pump Oil.
Alternate Oil: 30W non-detergent or 15W-40 non-detergent oil.



| | |
|-------------------------|--------------------------|
| Maximum Flow | 68.0 GPM / 256 lpm |
| Maximum Pressure | 300 PSI / 20 bar |
| Maximum RPM | 540 |
| Inlet Port - Hose Barb | 2" HB |
| Outlet Port - Hose Barb | 1-1/2" HB |
| Bypass - Hose Barb | - |
| Dimensions | 14.5"L x 15.5"W x 18.5"H |
| Weight | 80 lbs |

Lubrication: Requires 90 oz. of Udor Lube 40W Premium Pump Oil.
Alternate Oil: 30W non-detergent or 15W-40 non-detergent oil.

| 8700.44CK | | 606228 KIT 527 | | 6062D3 KIT 636 | | 6062H4 KIT 672 | |
|-----------|-----|-------------------|-----|-------------------|-----|-------------------|-----|
| CODE | QTY | CODE | QTY | CODE | QTY | CODE | QTY |
| 010201 | 6 | 010201 | 6 | 110101 | 12 | 090361 | 6 |
| 030107 | 6 | 030107 | 6 | 600677 | 12 | 110101 | 12 |
| 090361 | 6 | | | | | | |
| 110101 | 12 | | | | | | |
| 110142 | 1 | | | | | | |
| 110193 | 2 | | | | | | |
| 600677 | 12 | | | | | | |



Revised 2-6-2025

| Part # | Description | Qty |
|---------|---------------------------------------|-----|
| 0001.08 | RETAINER RING | 1 |
| 0002.A9 | SHAFT MI D1" | 1 |
| 0007.41 | OIL SEAL D40 | 1 |
| 0007.49 | OIL SEAL D35 | 1 |
| 0102.01 | DIAPHRAGM BOLT ●▲ | 6 |
| 0202.79 | INLET HOSE BARB D50 | 1 |
| 0206.14 | SLEEVE D75 | 6 |
| 0208.22 | OIL RESERVOIR CAP | 1 |
| 0209.B5 | CRANKCASE | 1 |
| 0214.04 | BALL BEARING D35 | 1 |
| 0214.22 | BALL BEARING D40 | 1 |
| 0216.07 | ROLLER BEARING D55 | 1 |
| 0301.48 | ROD DISC "ZETA 170/260" OMR80 | 2 |
| 0301.07 | DIAPHRAGM WASHER ●▲ | 6 |
| 0302.59 | ROD DISC | 2 |
| 0501.07 | FLANGE - MI | 1 |
| 0501.H9 | OIL CUP SUPPORT FLANGE | 1 |
| 0501.L3 | BEARING FLANGE | 1 |
| 0604.39 | BARB NUT G2" | 1 |
| 0604.50 | BARB NUT G1-1/2" | 1 |
| 0605.49 | GASKET D13 | 1 |
| 0903.02 | PISTON DIAPHRAGM - BUNA-N 116MM | 6 |
| 0903.61 | PISTON DIAPHRAGM - GREENTECH 116MM ◆▲ | 6 |
| 1101.01 | O-RING - VALVE ◆◆▲ | 12 |
| 1101.04 | O-RING - DRAIN PLUG | 2 |
| 1101.42 | O-RING - DISCHARGE BARB▲ | 1 |
| 1101.51 | O-RING - PLUG | 2 |
| 1101.56 | O-RING - OIL RESERVIOR | 1 |
| 1101.58 | O-RING - BEARING FLANGE | 1 |
| 1101.68 | O-RING - OIL RESERVIOR | 1 |
| 1101.85 | O-RING - OIL RESERVIOR | 1 |
| 1101.93 | O-RING - INLET BARB▲ | 2 |
| 1101.G5 | O-RING - MANIFOLD TUBE | 24 |
| 1202.98 | BASE PLATE "ZETA 230/260/300" | 2 |
| 1203.49 | OIL RESERVOIR | 1 |
| 1205.08 | ALUMINIUM PISTON D75 | 6 |
| 1403.05 | WASHER M8 | 1 |
| 1403.12 | GASKET D8.5 | 1 |

| Part # | Description | Qty |
|-----------|--|-----|
| 1403.48 | WASHER M8 | 36 |
| 1403.49 | WASHER M10 | 26 |
| 1406.88 | OUTLET HOSE BARB D38 | 1 |
| 1411.03 | SERATED WASHER M10 | 3 |
| 1412.03 | BONDED WASHER M6 | 2 |
| 1502.01 | PIN D18X64 | 6 |
| 1506.02 | SNAP RING D18 | 6 |
| 1506.16 | SNAP RING D55 | 2 |
| 1509.05 | PISTON RING D75 | 6 |
| 1519.33 | CONNECTING ROD | 6 |
| 1534.09 | DISC | 1 |
| 1601.33 | SUCTION MANIFOLD G2" | 1 |
| 1601.34 | INLET-OUTLET MANIFOLD | 6 |
| 1603.36 | PLUG G3/4 | 2 |
| 1603.67 | PLUG G1/4 | 1 |
| 1603.87 | PLUG G3/4 | 2 |
| 1604.74 | HEAD | 6 |
| 1605.37 | OUTLET MANIFOLD G1"1/2 M | 1 |
| 1605.38 | INLET-OUTLET MANIFOLD G3/4 F | 4 |
| 1804.72 | HEX BOLT M8X50 | 12 |
| 1804.79 | HEX BOLT M8X70 | 24 |
| 1804.83 | HEX BOLT M8X12 | 1 |
| 1804.99 | HEX BOLT M10X25 | 6 |
| 1804.A2 | HEX BOLT M10X75 | 24 |
| 1805.01 | ALLEN BOLT M10X25 | 3 |
| 1805.57 | ALLEN BOLT M8X22 | 3 |
| 1805.71 | ALLEN BOLT M6X50 | 2 |
| 6006.77 | VALVE ASSEMBLY W/O O-RING ◆▲ | 12 |
| 6015.59 | ROD ASSEMBLY - D75 PISTON | 6 |
| 6033.12 | OIL RESERVOIR ASSEMBLY | 1 |
| 6062.28 | DIAPHRAGM BOLT & WASHER (KIT 527) | 1 |
| 6062.D3 | IN/OUTLET VALVE KIT "ZETA 300" (KIT 636) | 1 |
| 6062.H4 | DIAPHTAGM KIT - GREENTECH (KIT 672) | 1 |
| 8700.44CK | COMPLETE REPAIR KIT | 1 |

- Parts in 6062.28 (Kit 527)
- ◆ Parts in 6062.D3 (Kit 636)
- ◆▲ Parts in 6062.H4 (Kit 672)
- ▲ Parts in Kit 8700.44CK



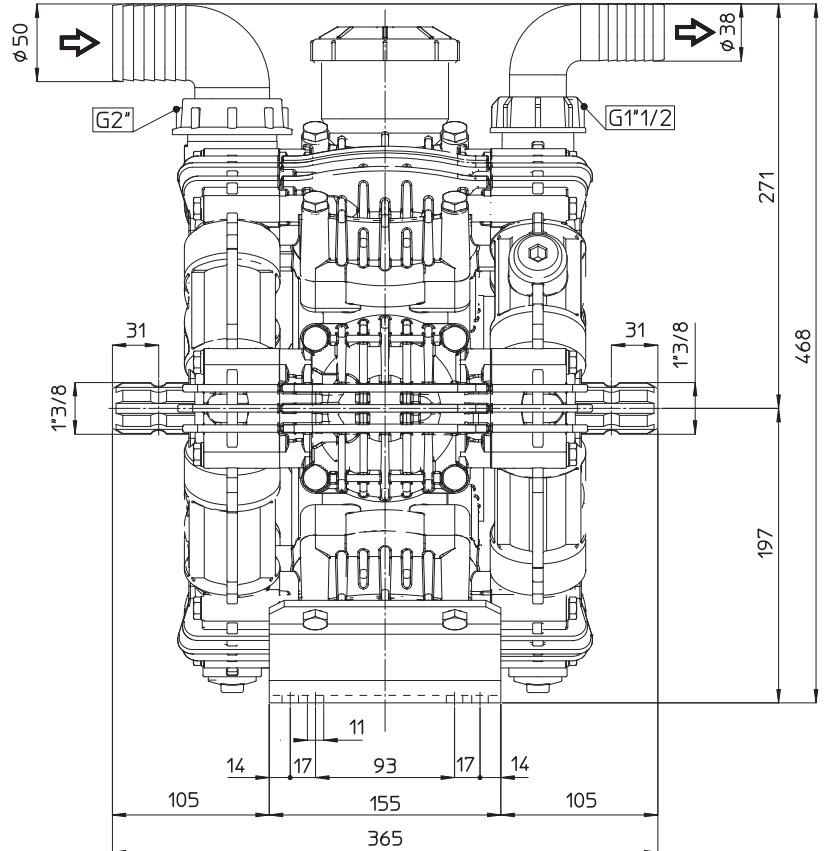
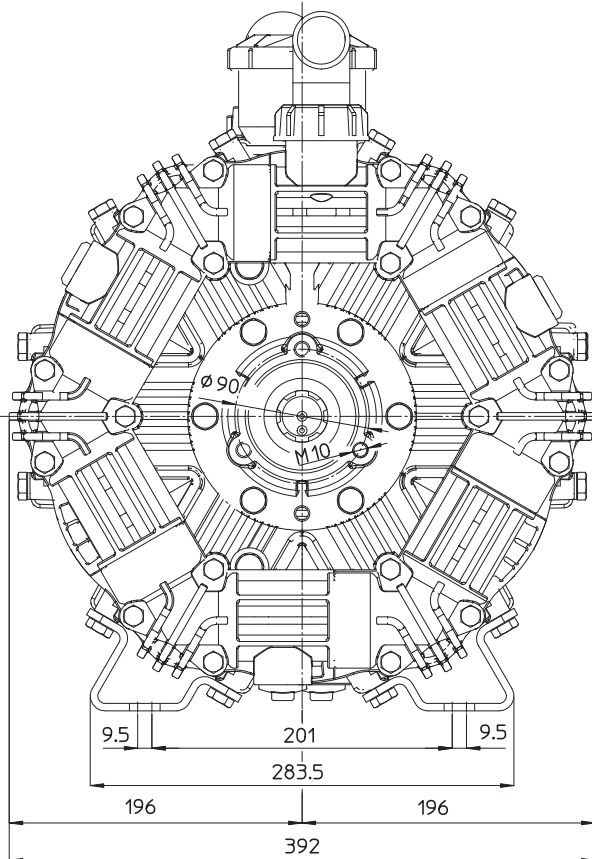
ZETA 230/260 DIMENSIONS

All Dimensions are WITHOUT Control Unit or Regulator

Dimensional Drawings are Shown in Millimeters. To Convert to Inches, Multiply Dimension x 0.03937

| Specifications | ZETA 230 | ZETA 260 |
|--------------------------|------------------------------|-----------|
| Inlet Port - Hose Barb | 2" HB | 2" HB |
| Outlet Ports - Hose Barb | 1-1/2" HB | 1-1/2" HB |
| Dimensions - Pump Only | 14.5"L x 15.5"W x 18.5"H | |
| Diaphragm Material | GREENTECH (Std) Buna-N (Opt) | |

Lubrication: Requires 39 oz. of Udor Lube 40W Premium Pump Oil. Alternate Oil: 30W non-detergent or 15W-40 non-detergent oil.



TORQUE SPECS

| Ref. | Description | Ft./lb. | Nm |
|------|-----------------------------------|---------|----|
| 1 | Diaphragm Bolts (Use Loctite 243) | 22 | 30 |
| 2 | Head Bolts | 30 | 40 |
| 3 | Pulsation Dampener Bolts | - | - |
| 4 | Oil Cup Bolts | 6 | 8 |
| 5 | Manifold Bolts (Plastic) | 14 | 20 |
| NS | Bearing Flange Bolts (not shown) | 25 | 34 |

