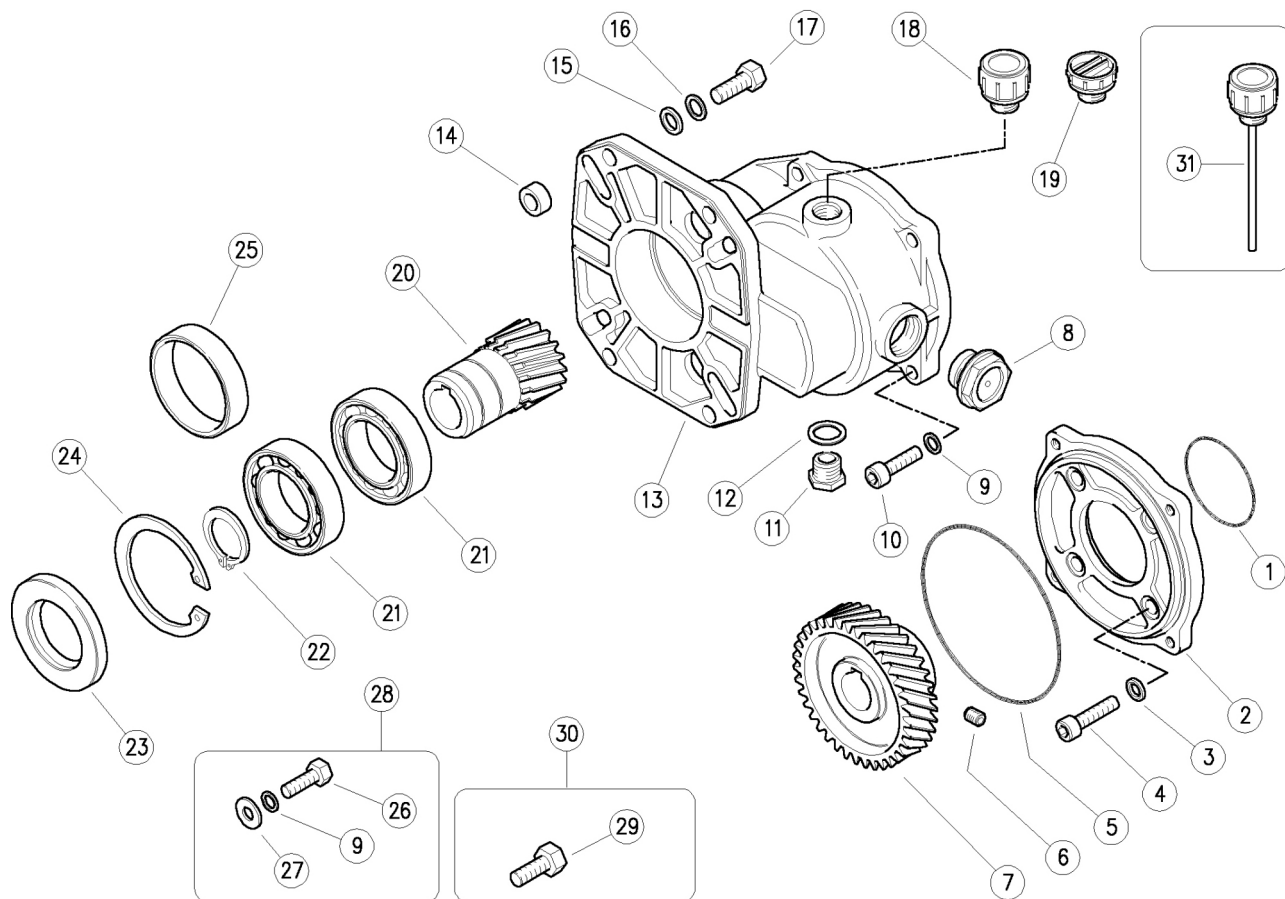


50.0000.00 B18 Gear box 11-18 HP r.2,176:1  
 50.0015.00 B18 gear box 1" -Leuco LT-XLT d.25mm  
 50.0040.00 B18 Gear box 11-18 HP r.2,176:1

50.0060.00 B24 Gear box 18-24 HP r.2,176:1  
 50.0062.00 B24 Gear box 18-24 HP r.2,176:1  
 50.0100.00 B10 Gear box 7-10 HP r.2,176:1



Pos.	P/N	Description	Q.ty
1	10.3210.56	O-ring, 2,62x56,82 mm	1
1	10.3210.67	O-ring, 2,62 x 67,95 mm (1)	1
2	50.0002.44	Gearbox flange, alum.	1
2	50.0016.44	Flange -Leuco LT-XLT (1)	1
3	14.4098.00	Sealing washer, d.8 mm	4
4	16.1958.31	Screw, DIN912 M8x30 mm z.pl.	4
5	10.3211.11	O-ring, 2,62x113,92 mm	1
6	16.2223.00	Set screw, DIN916 M8x10 mm	1
7	50.0003.65	Ring gear, Z.37 d.24mm	1
7	50.0017.65	Z.37 gear D.25mm (1)	1
8	15.3734.00	See-through oil plug 3/4" Bsp+seal	1
9	14.3652.00	Safet. washer, 8,4x13x0,8 mm	8
10	16.1958.26	Screw, DIN912 M8x25 mm z.pl.	4
11	60.0028.31	Plug,brass 3/8 Bsp.hex.19	1
12	14.4042.00	Washer, 16,7x22x1,5 mm alu.	1
13	50.0001.44	Gearbox case, alum.	1
14	50.0008.31	Spacer ring, 10,3x18x6 mm brass	4
15	14.3798.00	Washer, 10,5x17x2 mm	4

Pos.	P/N	Description	Q.ty
16	14.3653.00	Safet. washer, 10,5x16x1 mm	4
17	16.2010.00	Screw, DIN933 3/8"UNCx1"1/4 z.pl.	4
18	15.3726.00	Oil plug 3/8" Bsp+seal	1
19	15.3725.00	Plug, 3/8" Bsp plast.	1
20	50.0006.21	Pinion, Z.17 d.1" (25,4mm) complete	1
20	50.0007.21	Pinion, Z.17 d.1"1/8 (28,6mm) complete (2)	1
21	11.4440.68	Ball-bearing, 40x68x15 mm (3)	2
21	11.4441.68	Ball-bearing, 40x68x15 mm (4)	2
22	10.1040.00	Snap ring, E 40	1
23	10.2040.72	Seal ring, 40x72x7 mm	1
24	10.1072.00	Snap ring, I 72	1
25	50.0101.61	Spacer ring, 60x68x15 mm (5)	1
26	16.2009.00	Screw, DIN933 5/16"UNFx1" z.pl.	4
27	14.3572.00	Washer, 8,4x21x1,5 mm	4
28	50.0010.24	Lock-Kit, 127mm,5/16"screws+washers	1
29	16.2035.00	Screw, DIN933 M10x35 mm z.pl. **	4
30	50.0011.24	Lock-Kit, 165mm, M10 screws **	1
31	15.3728.00	Oil plug +dipstick **	1

\*\* On request

(1) 50.0015.00 (2) 50.0040/60.00 (3) 50.0100.00 (1) (4) 50.0060/62.00 (5) 50.0100.00