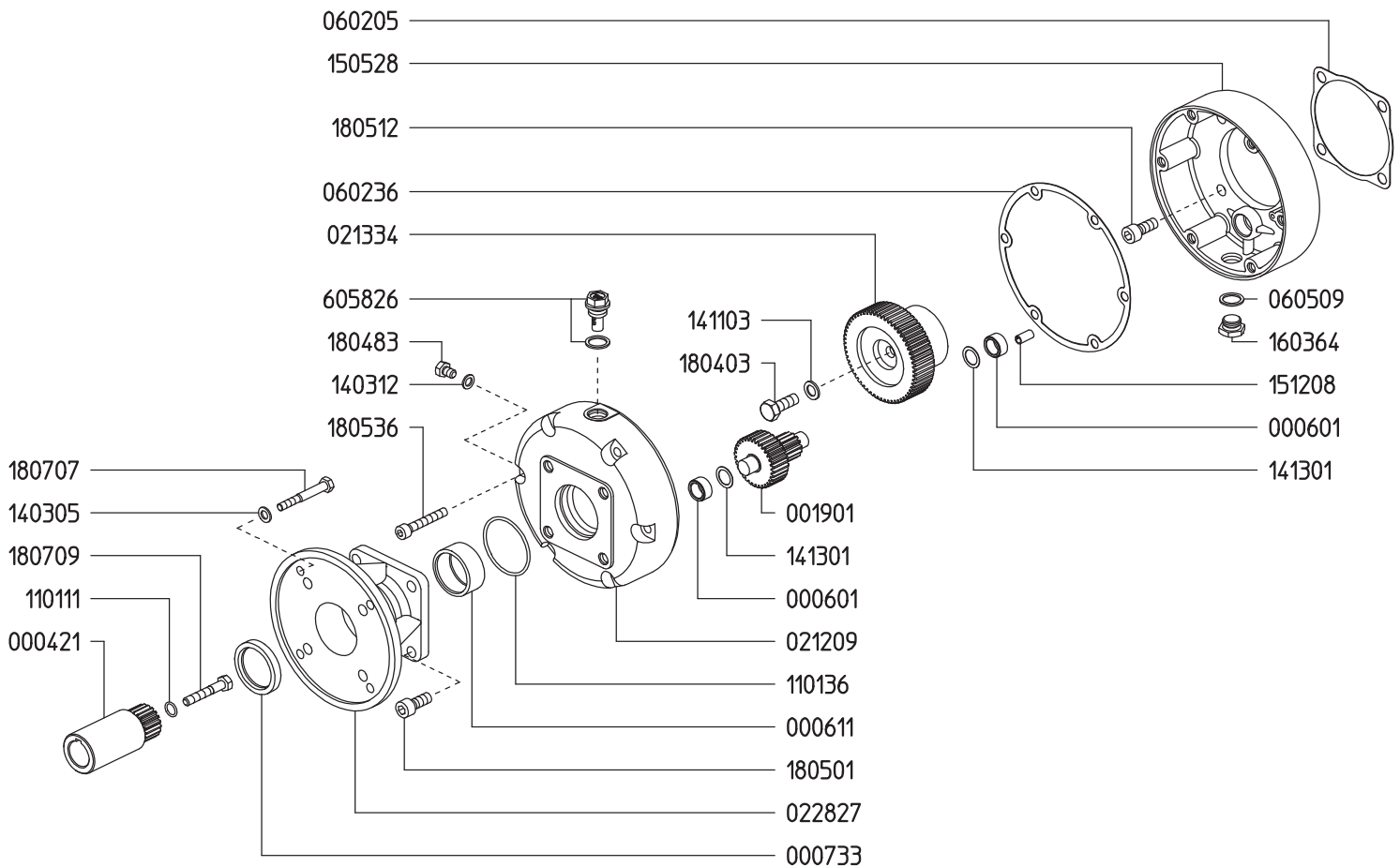


**GAS ENGINE GEAR REDUCTION FOR
GAMMA-62 PLUNGER PUMPS
on up to 16.0 HP GAS ENGINES with 1" SHAFTS
REQUIRES 17.25 OZ. 90W GEAR LUBE**



Part #	Description	Qty	Part #	Description	Qty
0004.21	GEAR SHAFT "M164-1"	1	1403.12	GASKET D8.5	1
0006.01	BUSHING D15	2	1411.03	SCHNORR WASHER D10	1
0006.11	BUSHING D40	1	1413.01	WASHER D15	2
0007.33	OIL SEAL D40	1	1505.28	GEAR BODY "M164"	1
0019.01	GEAR SHAFT "M164"	1	1512.08	PLUG D4X16 UNI1707	1
0212.09	REDUCER COVER "M164"	1	1603.64	PLUG G3/8	1
0213.34	GEAR "M164-G62"	1	1804.03	HEX SCREW M10X30 UNI5739	1
0228.27	COUPLER "M164-VA"	1	1804.83	HEX SCREW M8X12 UNI5739	1
0602.05	GASKET	1	1805.01	ALLEN SCREW M10X25 UNI5931	4
0602.36	GASKET "M164"	1	1805.12	ALLEN SCREW M10X50 UNI5931	1
0605.09	GASKET D17	1	1805.36	ALLEN SCREW M8X50 UNI5931	6
1101.11	O-RING D11.11 (RIF.114)	1	1807.07	HEX SCREW 5/16X1" UNF	4
1101.36	O-RING D53.65 (RIF.3212)	1	1807.09	HEX SCREW 5/16X2-1/4" UNF	1
1403.05	WASHER D8.4	4	6058.26	OIL PLUG G3/8	1